

## IT-SSA3-WL

*With 3 high power LEDs for a total power consumption of 3.6W, beam angle 15° to 120°, beam distance 30m to 2m, the IT-SSA3-WL is a White Light Illuminator with a high service of life.*

- Luminous flux 300lm.
- Color temperature 3000-3500K/5500-6000K.
- 50,000 hours lifetime LEDs.
- Extended working temperature range -30 to 50°C.
- 1-3 years warranty.



## Product Family

The IT-SSA3-WL is part of the high-power Compact White Light Illuminators series that is the quality LED light source solution for night-time illumination, providing high-power light for CCTV and IP cameras to enhance night-time visual performance with colorful images.

## Product Features

- Precise secondary optical technology.
- The latest LED technology assures outstanding performance with excellent luminous efficiency and more uniform illumination.
- Independent innovation of high efficiency power drive schemes.
- Low failure rate of products is guaranteed because of professional in-house optimized independent circuit technology widely used in our LED illuminators for more than 5 years.
- High thermal conductivity aluminum.
- Energy saving technology.
- All illuminators has energy saving circuit with low electrical power consumption.
- Thinner and lighter design.
- Housing designed for simple installation and easy operation to reduce construction difficulty.

## Basic Functions

- *To improve performance of the weak light camera, thereby enhancing the picture effects at night.*
- *Conventional night monitoring.*
- *The function of video analysis at night.*
- *Reduce signal noise and other image distortion.*
- *Reduce the network bandwidth requirements.*
- *Energy saving by power factor correction.*
- *Reduce the equipment cost.*
- *Lower cost of installing and wiring.*
- *Indoor and outdoor use.*

## Technical Specifications

**LED type:** 3 pieces high power white light LEDs

**Luminous flux:** 300lm

**Color temperature:** 3000-3500K/5500-6000K

**Beam angle:** 15° to 120°

**Beam distance:** 30m to 2m

**Bracket:** Wall mount bracket

**Working voltage:** 12V DC 300mA /24V AC

**Power consumption:** 3.6W

**Day & Night switch:** With/without CDS sensor

**Working temperature:** -30°C to 50°C

**Protection level:** IP66

**Color:** Silver/black

**Panel:** Tempered glass panel

**Housing:** Aluminum die-casting housing

**Net weight:** 0.33 kg

**Gross weight:** 0.4 kg

**Packing dimensions:** 130\*110\*100mm

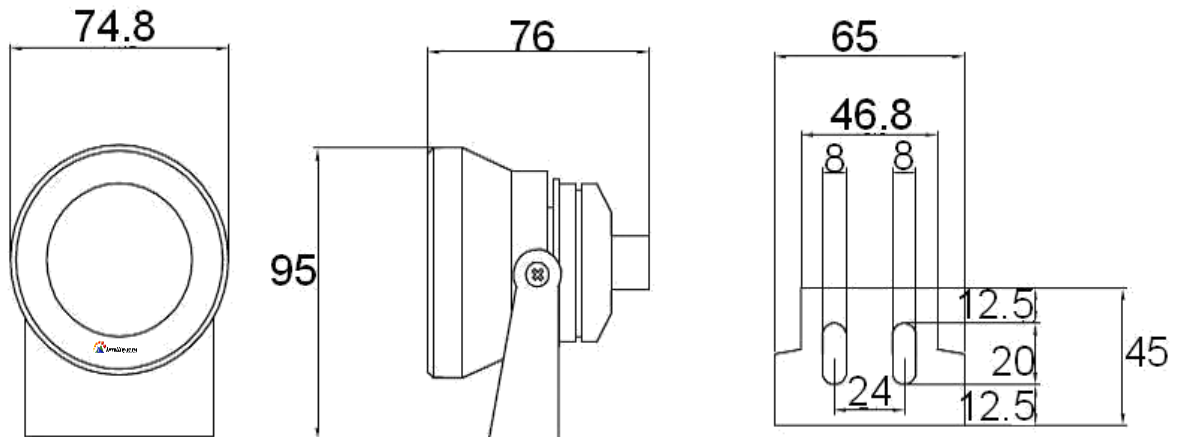
## Models for Selection

Model	Beam angle	Viewing distance
IT-SSA3-WL-15-W	15°	30m
IT-SSA3-WL-30-W	30°	20m
IT-SSA3-WL-45-W	45°	15m
IT-SSA3-WL-60-W	60°	8m
IT-SSA3-WL-90-W	90°	3m
IT-SSA3-WL-120-W	120°	2m

*\*Viewing distance is tested by Sony 1/3 CCD Camera with 0.01 LUX.*

To achieve the distance needed, please pay attention to your camera specifications and lens before purchase. It is normal phenomenon that distance may vary due to different cameras and lens.

## Mechanical Drawings



## Viewing Picture at Night



With white light



Without white light